

# ASF Activities

## The 8th ASEF

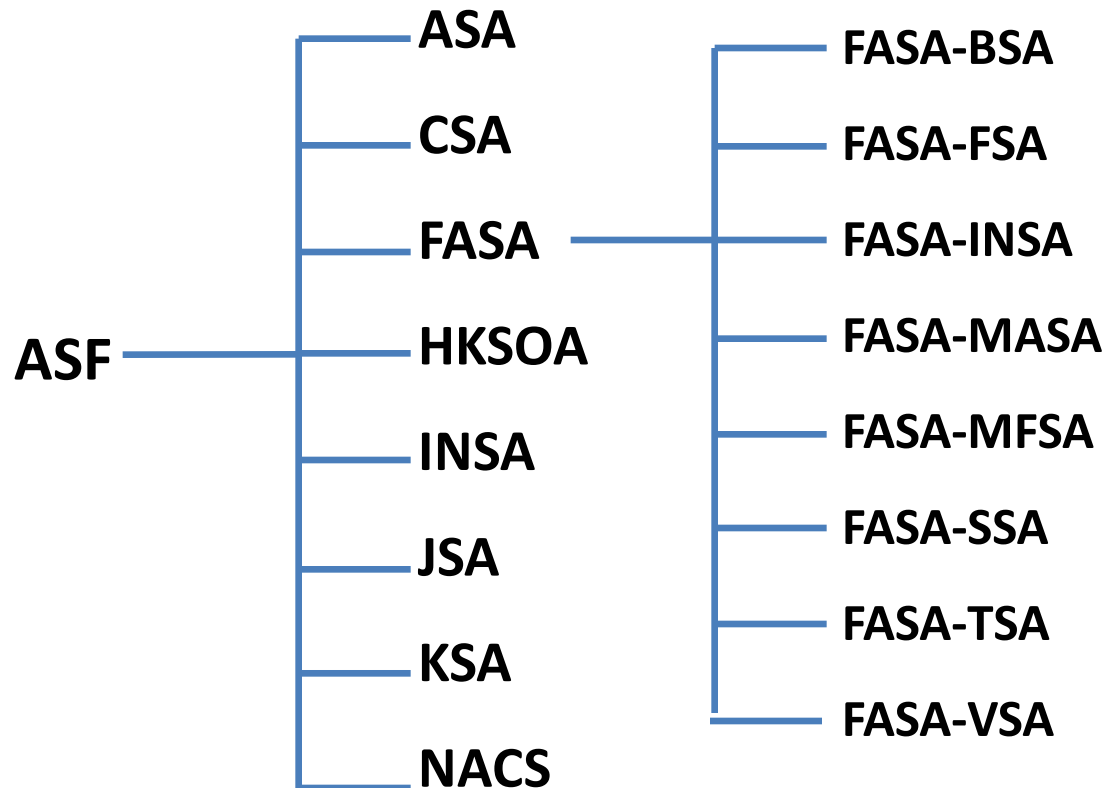
27 November 2014, Jeju



**Harry Shin**  
Secretary General  
Asian Shipowners' Forum



# ASF



- > ASF members are estimated to control approximately 50% of the world's merchant fleet



# ASF

## STANDING COMMITTEES

---

- > **Seafarers Committee (SC)**
- > **Shipping Economics Review Committee (SERC)**
- > **Ship Insurance and Liability Committee (SILC)**
- > **Safe Navigation and Environment Committee (SNEC)**
- > **Ship Recycling Committee (SRC)**



# ASF OBJECTIVES

---

- > Promote interests of Asian shipping industry**
- > Project unified voice of Asian Shipowners to International Community**



# KEY ISSUES

---

- > Piracy and Armed Robbery**
- > Competition Issues**
- > Recycling Regulation**



# Piracy and Armed Robbery

---

> **Asia**

> **West Africa**



# **Piracy and Armed Robbery in Asia**

---

- > 73 actual and attempted incidents reported for Jan-Jun 2014.**
- > Petty theft and armed robbery incidents constitute the majority.**
- > Piracy incidents had occurred in South China Sea, Bay of Bengal and the Indian Ocean.**



# Piracy and Armed Robbery in Asia

---

## > Siphoning of Fuel





# Piracy and Armed Robbery in West Africa

---

- > 116 actual and attempted incidents reported for Jan-Jun 2014.**
- > 23 incidents occurred in West Africa.**



# Competition Issue

---

## > Australia Competition Policy



# Ship Recycling

---

## > EU Ship Recycling Regulation



---

**Thank you !**

**ASF**