

6th Asian Shipbuilding Experts' Forum

22-23 November 2012

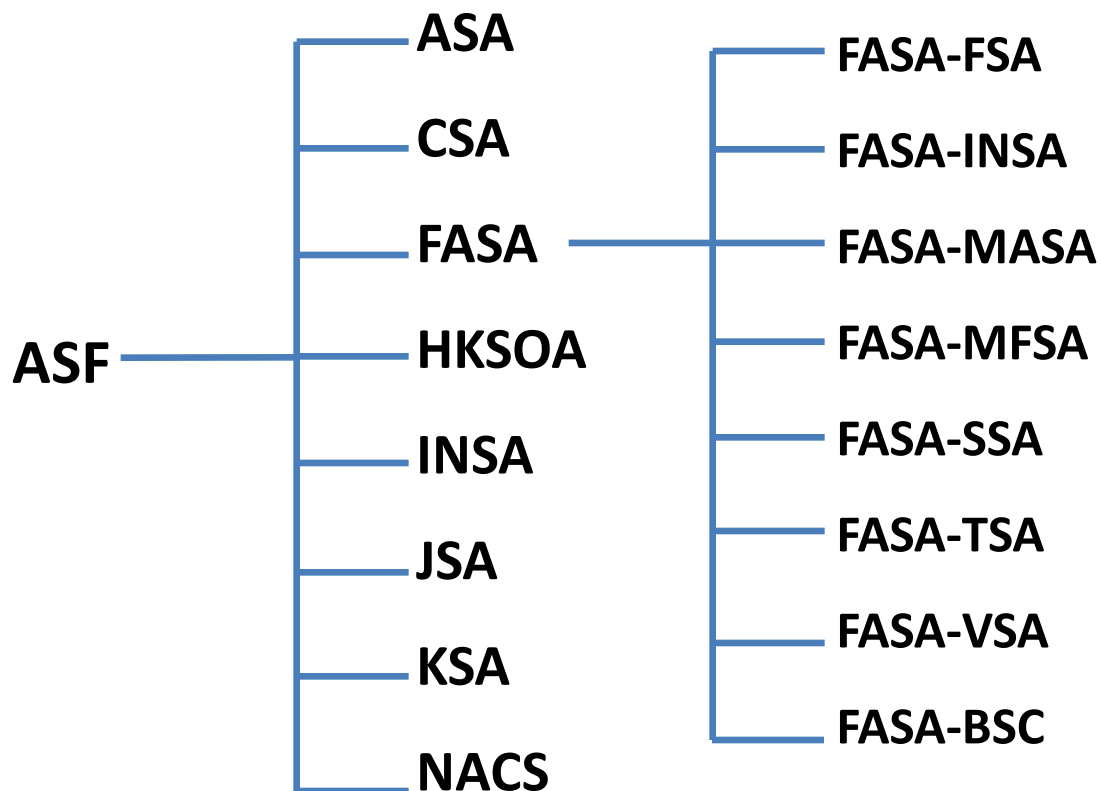
Guangzhou



Yuichi Sonoda
Secretary General
ASF
(Asian Shipowners' Forum)



ASF



> ASF members are estimated to control about 50% of the world's merchant fleet



ASF OBJECTIVES

- > Promote interests of Asian shipping industry
- > Project an unified voice of Asian Shipowners to International Community



ASF

STANDING COMMITTEES

- > **Seafarers Committee (SC)**
- > **Shipping Economics Review Committee (SERC)**
- > **Ship Insurance and Liability Committee (SILC)**
- > **Safe Navigation and Environment Committee (SNEC)**
- > **Ship Recycling Committee (SRC)**



ASF Counter Piracy Proposal

- > The purpose of the ASF Counter Piracy Proposal is to seek the establishment of a UN Counter Piracy Task Force that would provide protection for the merchant ships transiting the high risk area.
- > The Proposal has been developed along the lines of the successful model by shipping company and naval forces partnership.
- > Armed personnel would be deployed onto merchant ships of all flags that require protection during transit through the HRA.



ASF Counter Piracy Proposal

Option 1 - UN-Sanctioned Armed Personnel Using Land Bases

Qualified armed personnel will comprise either military or paramilitary services of UN Member States that will be stationed on land bases

Option 2 - Armed Personnel of Like-Minded Governments Using Floating Bases

If the ASF proposal is only supported by a few like-minded governments, the usage of floating bases may be required instead of land bases as the establishment of land bases involves the sensitive sovereignty.





THANK YOU !

ASF